

CONTI+ lino PRIMUS L40

Washbasin faucet with electronic mixer





TECHNICAL DETAILS

Mains operation, exposed design: plug-in power supply unit 230 V / 12 V

Operating pressure: 0.3 – 10 bar
Flow rate (approx.): 3.8 l/min (3 bar)
Water inlet temperature (max.): 80 °C
Temperature limit (max.): 42 °C
Pressure hoses: 350 mm
Angle valve connections: G 3/8
Strainers: 0.5 mm mesh width
Water run-on time: preset to 1 s (can be adjusted to 0 – 12 s with function key)

"Continuous on" function and sanitary rinse time: preset to 2 min (can be adjusted to 0.5 – 20 min with function key)

Electronic anti-scalding protection: If the cold water pipe fails, the water flow is stopped when it reaches 48 °C (factory setting) – adjustable via Service APP and CNX; observe maximum water temperature

"Temporary off" function: fixed at 2 min
Standards: DIN EN 200, noise class I, P-IX 9575 / IA; **CE**



CONTI+ lino PRIMUS L40

Intelligent electronics for washbasin faucets

Our new CONTI+ lino PRIMUS faucet brings you a washbasin faucet with an entirely unique hygiene function: the proportional valve technology of the electronically controlled thermostat enables separate flushing of cold, mixed and hot water (in combination with the CONTI+ CNX water management system or the CONTI+ Service APP). In addition to sanitary rinsing and thermal disinfection (hot water), separate flushing of the cold water line can therefore also be carried out.

As a result, this technology – an in-house development – can almost completely rule out the possibility of microbiological contamination of the drinking water.

If the faucet is connected to the CNX water management system or the CONTI+ Service APP, the flushes can be programmed, controlled and

logged accordingly. A further benefit is that the sensor sensitivity, the water run-on time, and the running time and intervals of the sanitary rinse can also be activated and adjusted via these systems.

Thanks to its clear design language with high recognition value, the CONTI+ lino PRIMUS upright faucet makes an excellent combination with other fittings in the lino portfolio. The faucet can therefore be easily integrated into existing systems with no visual discrepancies.

The CONTI+ lino PRIMUS upright faucet is ideal for public, semi-public and commercial environments, as these areas have to meet particularly high standards of functional safety, as well as hygiene and maintenance.





CONTI+ lino PRIMUS L40

NEW: Technology plus safety

CONTI+ lino PRIMUS upright faucet L40
Touch-free, electronically controlled
thermostatic washbasin faucet,
mains operation, chrome plated

Economy
aerator
Self-cleaning

Infrared sensor technology
with fully automatic
self-calibration

Faucet management
with integration into the CNX
water management system and
control via the Service APP

Thermostat-E
Fully electronic mixer (free of
dead space), enables separate
cold water flushing, sanitary
rinsing and thermal disinfection
(hot water) with selectable target
temperature

Hot water connection
with flexible hose
incl. strainer

Click function key
"Temporary off" (cleaning stop)
and "continuous on"
(filling mode) functions, sensor
sensitivity, water run-on time,
sanitary rinse time and intervals
of 12, 24 or 48 hours can be
activated and adjusted

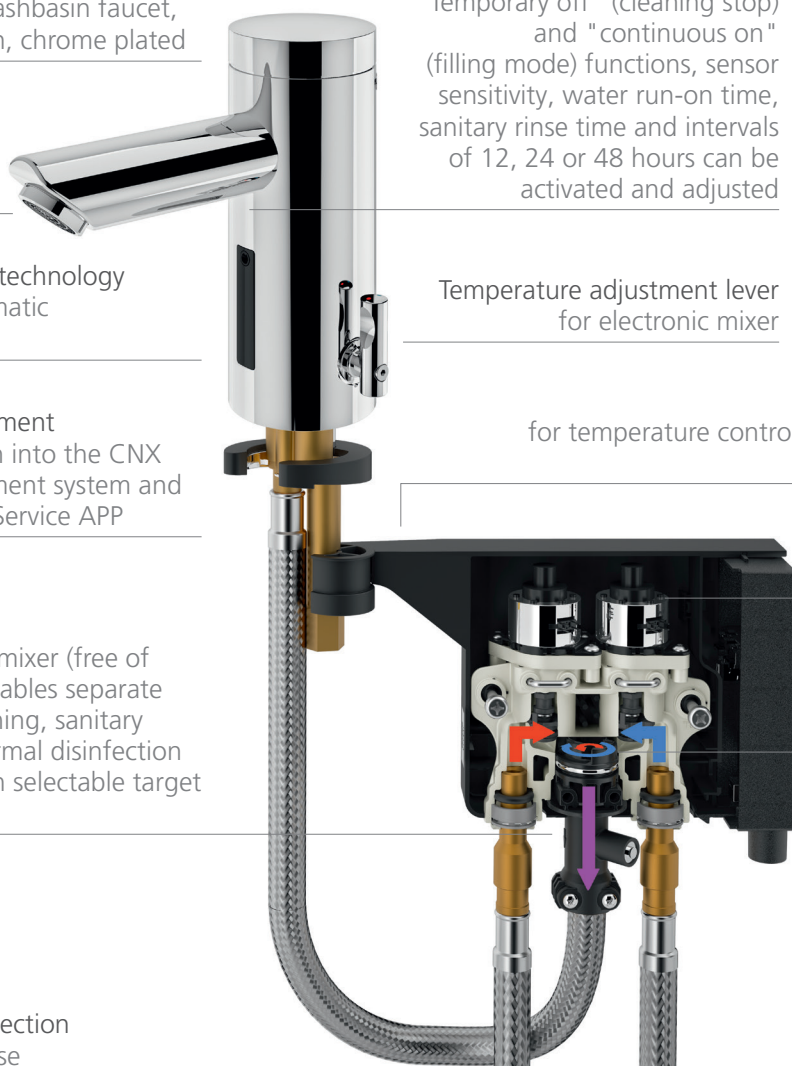
Temperature adjustment lever
for electronic mixer

Thermostat-E electronic mixer (box)
for temperature control in installation under the countertop
(on hanger bolts or mounting set)

Electronic motorised
temperature and volume control

Safety shutdown if the
cold water supply fails
(electronic anti-scalding protection
based on DIN EN 1111)

Cold water connection
with flexible hose incl. strainer



CONTI+ Service APP



Intuitive APP based control of individual faucets

Both new and existing drinking water installations need to meet numerous hygiene requirements – in Germany, for example, the German Drinking Water Ordinance (TrinkwV) 2018. With our CONTI+ Service APP, we offer an effective means to extend the necessary programming, logging and documentation of the required hygiene measures to the control units of the individual faucets.

The Service APP allows convenient management of CONTI+ shower panels, concealed showers, washbasin and urinal faucets. Thanks to the user friendly and intuitive interface, faucets can be identified and selected for very straightforward management, programming and data readings.

The APP guides users systematically and logically through all menu items and features so that they can program sanitary rinses, check and set water running times, optimise sensor ranges, save settings and usage data, and more. Used in conjunction with the BLE Converter 2nd generation, secure communication is established via Bluetooth® between the faucet and the required device (e.g. smartphone or tablet). All this can be done wirelessly, easily, intelligently and securely.



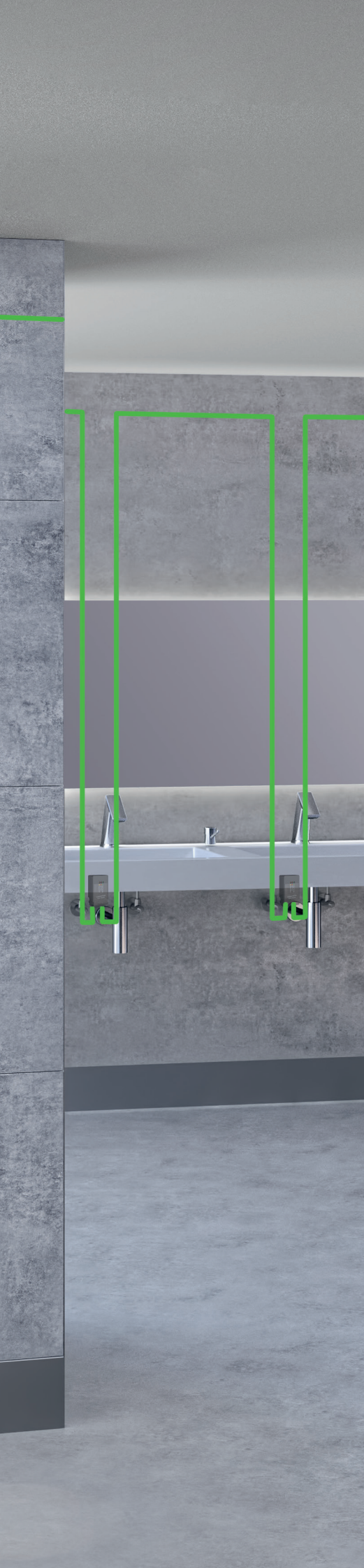
Bluetooth®
Wireless communication between Service APP and faucets via the BLE Converter 2nd generation



Intuitive operation
License management feature, software interface, analyses and graphics



Extensive services
Programming, logging and maintenance



CONTI+ CNX

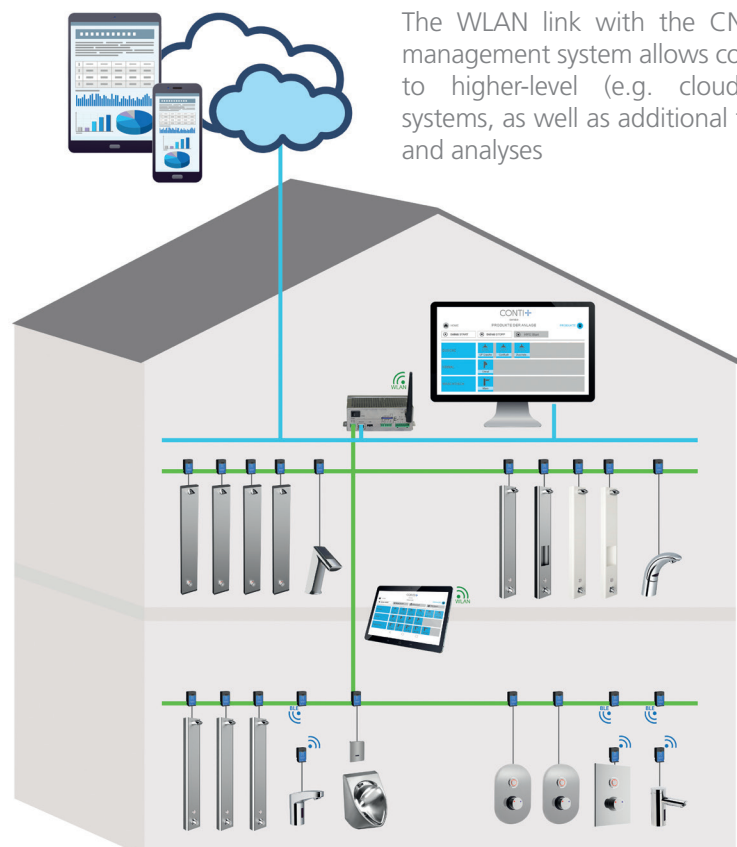


Water management system

The innovative CNX water management system meets even the most demanding hygiene requirements – for excellent drinking water hygiene and correct operation of the whole system at all times.

As well as networking the proven CONTI+ shower systems, washbasin faucets and urinal controls, the system also allows integration of the innovative lino PRIMUS L40 faucet. Depending on the type of CNX controller, up to 64 or 150 faucets and devices can be centrally controlled using browser-based software. The systems cover a wide range extending to 350 metres. Networking is via simple cabling, or Bluetooth® if required. The CNX water management system can also be linked to higher-level building management systems as needed – for integrated facility management.

The system allows straightforward networking of the faucets. Depending on the design of the building, different topologies are possible with the integration of further installation components. There is therefore no need for either terminators or special BUS cables. The standard cables – routed in empty conduits or concealed – are quickly and easily connected to the waterproof single-wire terminals. Additional measures for shielding cables are not required.



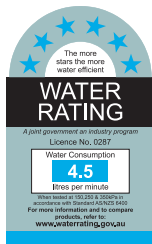
The WLAN link with the CNX water management system allows connection to higher-level (e.g. cloud based) systems, as well as additional functions and analyses

Dependable & innovative

Hygienic, smart shower room and washroom concepts to improve quality of life have been the hallmark of the CONTI+ brand for 50 years.

With our innovative technologies, broad product portfolio and comprehensive range of services, we offer optimum solutions to meet all our customers' needs for new build and refurbishment projects. Impressive, flexible all-round expertise.

From advanced electronic and mechanical shower systems, washbasin faucets and urinal controls through to washbasins, as well as complete washroom equipment and water management systems, we take an integrated approach to all products and system solutions, with a strong focus on sustainability, hygiene and reliability. As a result, the CONTI+ brand is respected among design engineers and architects as a professional partner.



Certificates are product related and not valid in general

CONTI Sanitärarmaturen GmbH
Hauptstrasse 98
35435 Wettenberg | Germany
Phone +49 641 98221 0
Fax +49 641 98221 50
info@conti.plus
www.conti.plus